

MOUSETRAP B - 2021



TEAM NUMBER **B** TEAM NAME _____

STUDENT NAMES _____

FINAL SCORE _____

Event Parameters	This Checklist provides a list of possible violations to aid the Event Supervisor Mark Violations with 'X' Below; Circle 'Y' to the right if a Violation is found for matching rule	Violation Found \\/
2.a. Impounded	Not Impounded: [] Vehicle [] Alignment Device(s), if any [] Spare parts, if any	1 Y N
2.c. Eye Protection	[] Not Available [] Improper Protection [] _____	2 Y N
2.d. Design Questions	[] Cannot Answer [] Built by others [] _____	3 Y N

Practice Log

4.a. Parameters	Missing: [] Target Distance [] Vehicle Distance from Target [] 3rd Parameter (e.g. # of axle turns, drive arm length, alignment angle, ...) [] Fewer than 10 practice runs recorded	4 Y N
4.b. Impounded	[] Log not Impounded	5 Y N

Construction Parameters

		RUN #1	RUN #2	RUN #3
3.a. Mousetrap	[1] [2] [3] More than one trap [1] [2] [3] Base > 6cm x 12cm [1] [2] [3] Jaw/Hammer extend beyond base (> 1cm) [1] [2] [3] More than 4 holes in trap [1] [2] [3] Not original parts [1] [2] [3] Altered beyond rules allowances [1] [2] [3] Potential energy increased beyond unmodified trap [1] [2] [3] _____	Y N	Y N	Y N
3.b. Energy Converters	[1] [2] [3] Energy Converter(s) for propulsion not at lowest energy state in ready to run	Y N	Y N	Y N
3.c. Electronic/Electric	[1] [2] [3] Electronic or Electric Device(s) Used (except calculator)	Y N	Y N	Y N
3.d. Dowel Rod	[1] [2] [3] Not approximately 1/4" round [1] [2] [3] Not approximately perpendicular [1] [2] [3] > 1cm from floor [1] [2] [3] < 20cm above floor [1] [2] [3] Parts (excluding drive arm/string) extending > 0.5cm beyond dowel	Y N	Y N	Y N
3.e. Vehicle Size	[1] [2] [3] Wheels/Treads extend outside of 40cm by 40cm box	Y N	Y N	Y N
3.f. Vehicle Parts	[1] [2] [3] All parts do not move as a whole [1] [2] [3] Parts fell off [1] [2] [3] Additional parts contacted ground after start (other than drive string)	Y N	Y N	Y N

DOES THE VEHICLE HAVE A CONSTRUCTION VIOLATION ABOVE? (IF YES, TIER 3)

6 Y N 10 Y N 14 Y N

The Competition

5.a. Outside Help	[1] [2] [3] Competitors left after starting to compete [1] [2] [3] or received outside assistance, materials, or communication	Y N	Y N	Y N
5.c. Electric Tools	[1] [2] [3] Used electric tools (except calculator)	Y N	Y N	Y N
5.d. Start Point	[1] [2] [3] Dowel not over Start Point [1] [2] [3] Vehicle will not remain in place untouched	Y N	Y N	Y N
5.f. Sighting Device	[1] [2] [3] Electric sighting/aiming used [1] [2] [3] Sighting/aiming left on track during run	Y N	Y N	Y N
5.g. Rolling On Floor	[1] [2] [3] Vehicle was rolled on floor of the track	Y N	Y N	Y N
5.h. Cleaning	[1] [2] [3] Substances applied to vehicle without ES prior approval [1] [2] [3] Substances damage or left residue on the floor or floor wet	Y N	Y N	Y N
5.i. Pencil/Followed	[1] [2] [3] Pencil not used to start [1] [2] [3] Vehicle was pushed or held [1] [2] [3] Starting motion not vertical [1] [2] [3] Competitors did not wait to be called to retrieve their vehicle	Y N	Y N	Y N

DOES THE VEHICLE HAVE A COMPETITION VIOLATION ABOVE? (IF YES, TIER 2)

7 Y N 11 Y N 15 Y N

Run Parameters

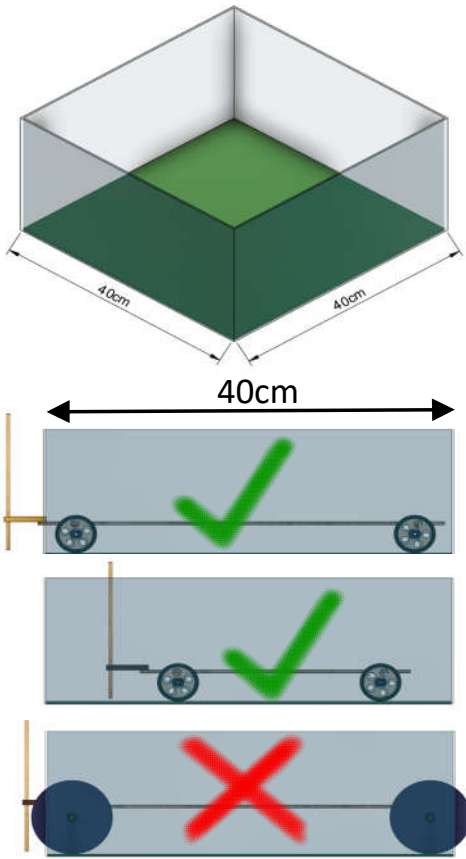
7.d. Distance	Distance (point to point) from the Measurement Point to the Target Point measured to the nearest 0.1 cm	8 _____	12 _____	16 _____
5.k. Failed Run	[1] [2] [3] Does not occur in 10 minutes [1] [2] [3] Started before ES is ready [1] [2] [3] Picked up before measurement [1] [2] [3] Team pushes the vehicle down the track [1] [2] [3] Time and/or distance cannot be measured	9 Y N	13 Y N	17 Y N
	Competitors informed of run's violations at end of run and before next run	[]	[]	[]
General Rule	Disqualified (notify the team and their coach as soon as possible) Reason _____	18 Y N		

Lane Boss _____ [Competitors] Acknowledgement of Recorded Values _____ 20200915

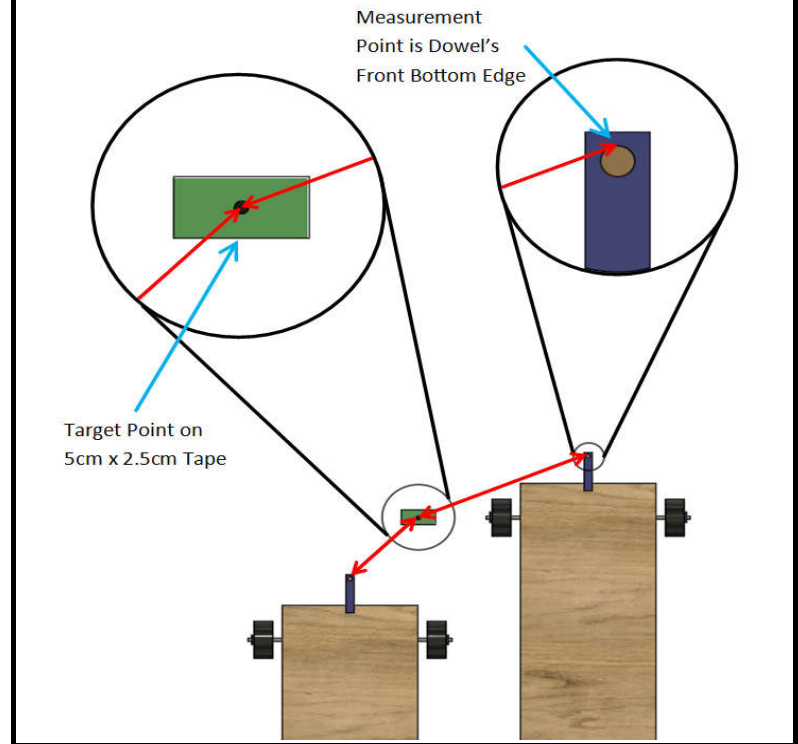
THE INFORMATION HERE SHOULD NOT BE INTERPRETED AS AN EXTENSION OF THE RULES. THE OFFICIAL RULES IN THE CURRENT RULE MANUAL TAKE PRECEDENCE

MOUSETRAP B - 2021

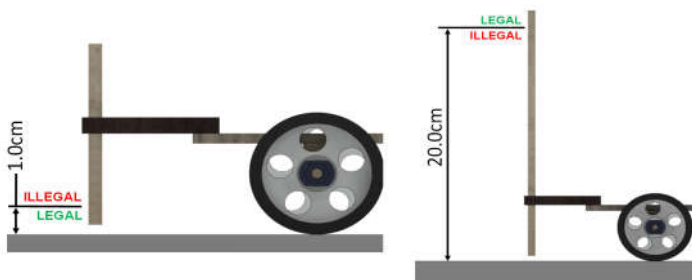
Rule 3.e - All wheels/treads (in their entirety) must fit in a 40.0cm x 40.0cm space of any height and orientation



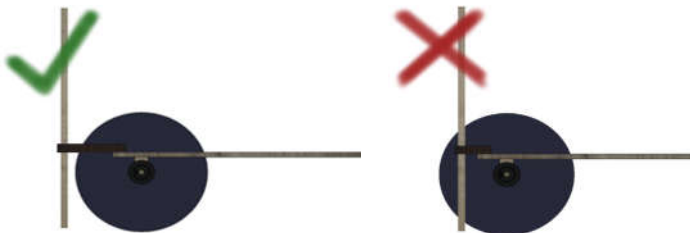
Rule 7.d - Vehicle Distance is a point-to-point distance from the Measurement Point to the Target Point



Rule 3.d - 1/4" round wooden dowel requirements



No part of the Vehicle, except drive arm may extend 0.5cm beyond the front of the dowel



Rule 3.a - Mousetrap with base 6.0cm x 12.0cm or smaller. No part of jaw/hammer extend more than 1.0cm from base.

