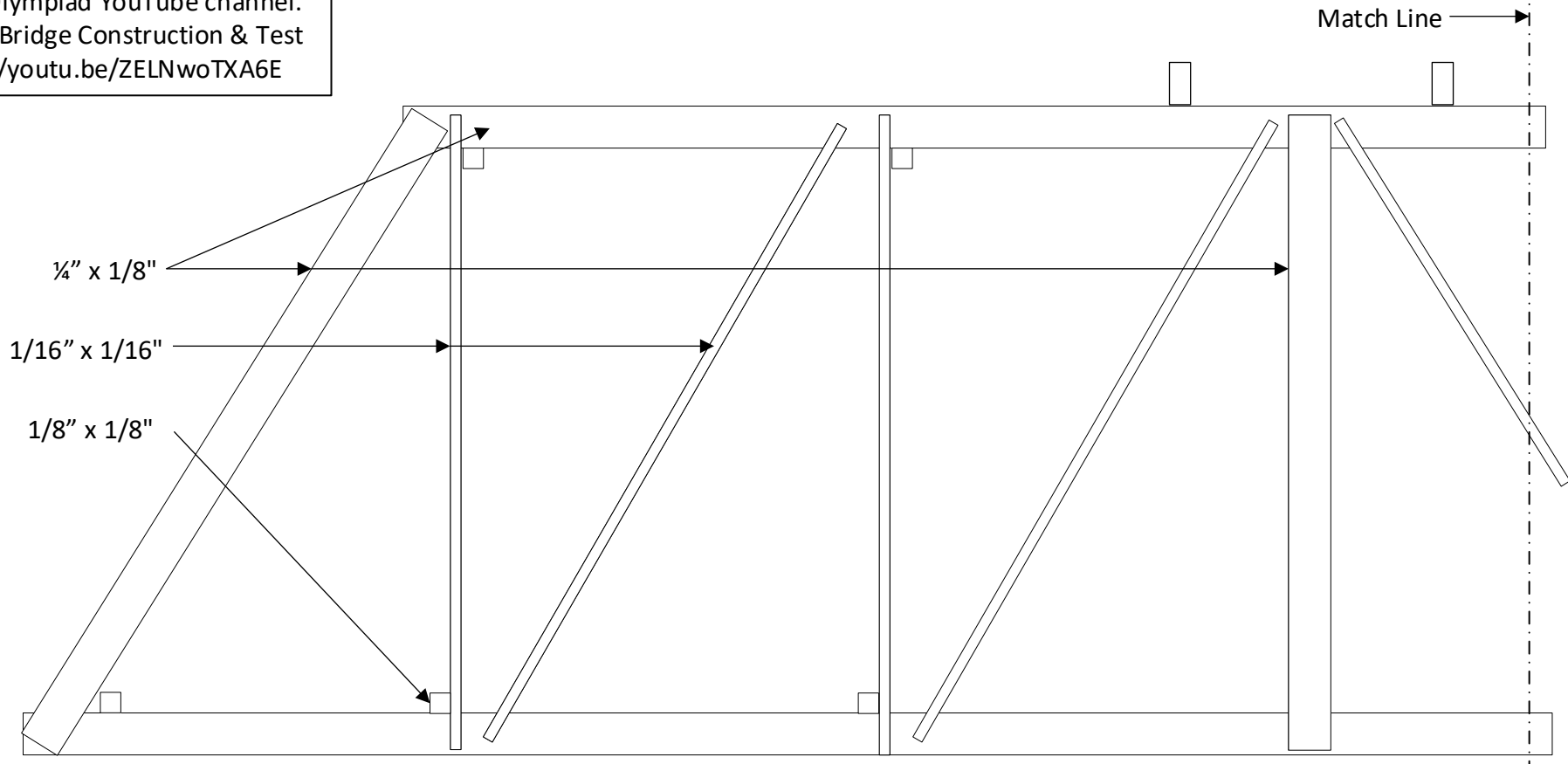
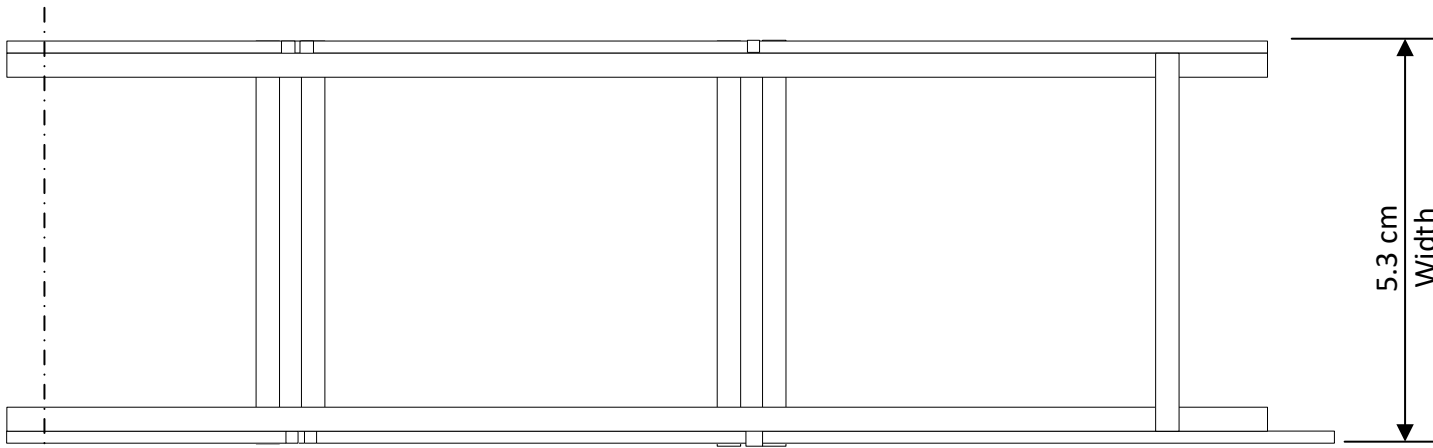


Guidance using this template is located on the Science Olympiad YouTube channel.  
Name: 2022 Bridge Construction & Test  
URL: <https://youtu.be/ZELNwoTXA6E>



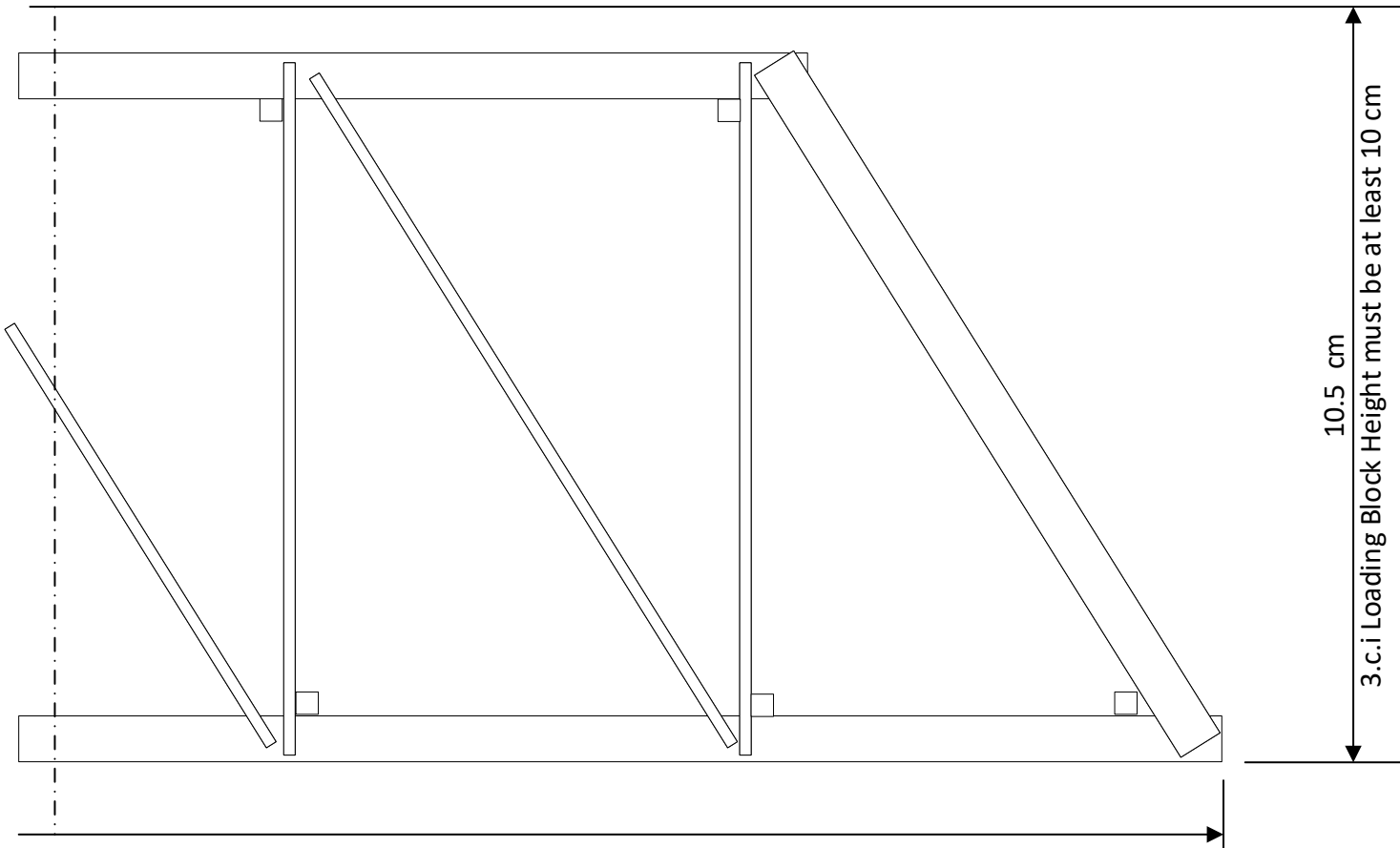
Bridge 2022  
Division B - Left



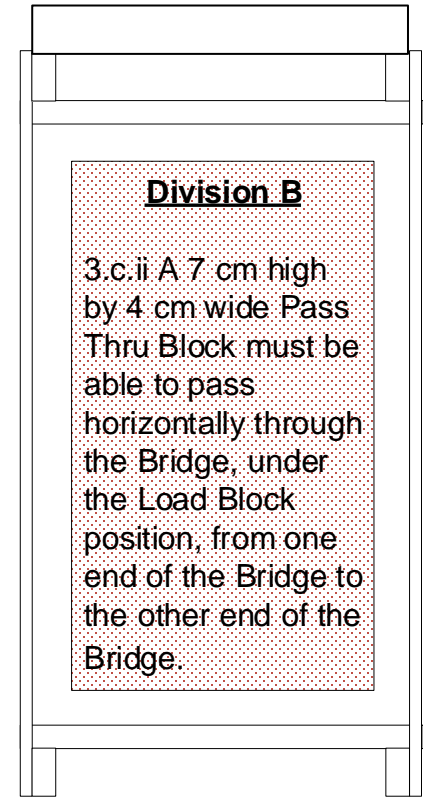
5.3 cm  
Width

5 cm by 5 cm  
Reference Block. Check that this  
block measures exactly 5 cm by  
5 cm before starting!!

← Match Line



10.5 cm  
3.c.i Loading Block Height must be at least 10 cm



**Division B**

3.c.ii A 7 cm high  
by 4 cm wide Pass  
Thru Block must be  
able to pass  
horizontally through  
the Bridge, under  
the Load Block  
position, from one  
end of the Bridge to  
the other end of the  
Bridge.