

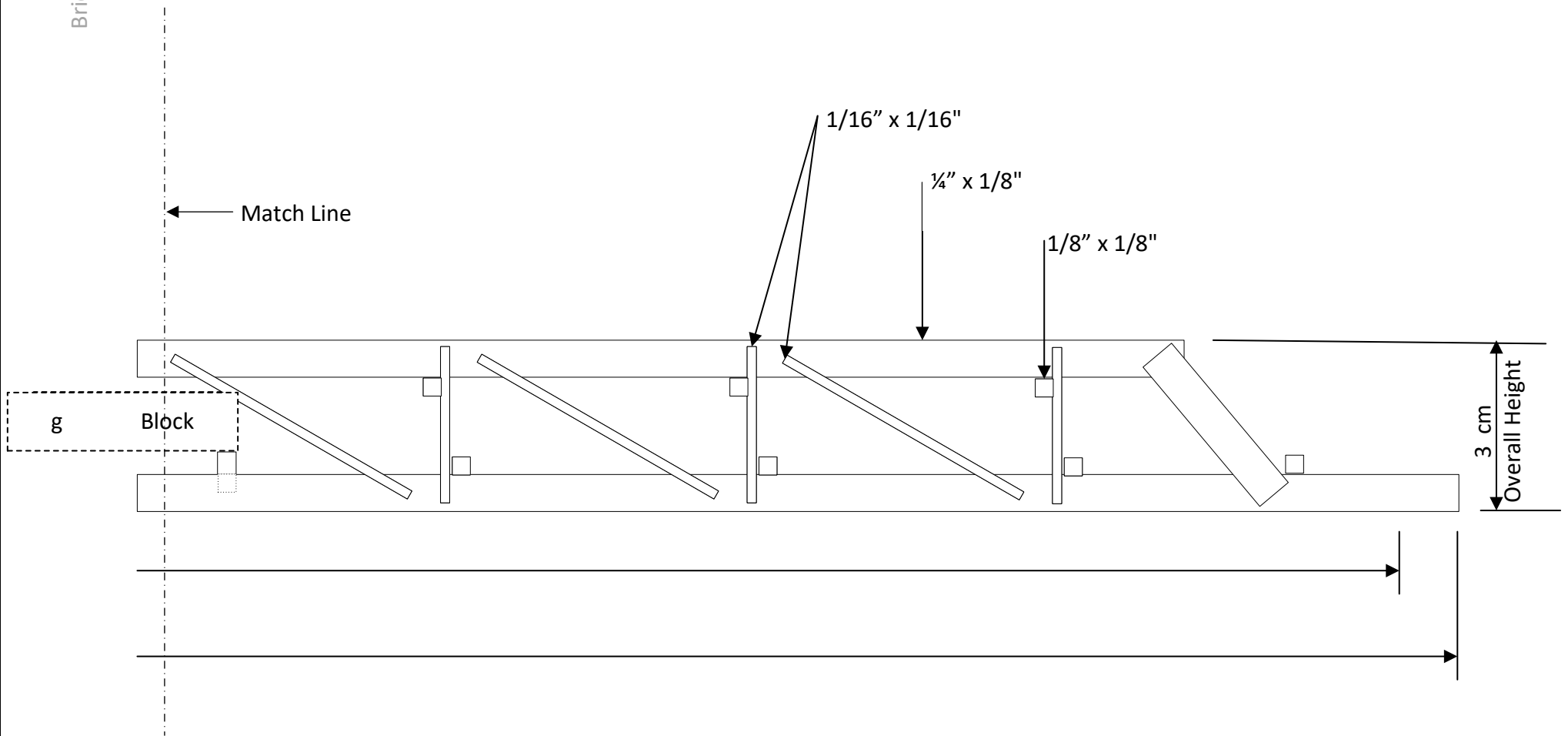
Guidance using this template is located on the Science Olympiad YouTube channel.

Name: 2022 Bridge Construction & Test

URL: <https://youtu.be/ZELNwoTXA6E>

(note! The video shows a Division B Bridge.

Division C will use the same techniques.



5 cm by 5 cm
Reference Block. Check that this
block measures exactly 5 cm by
5 cm before starting!!.

