

Science Olympiad

2014 Boomilever

J-Bolt Installation

Rule 4.b.

- ii. Mounting hook(s) shall be 4" steel J-bolts made of ¼" nominal round stock, have a 5/8" nominal inside hook diameter with a threaded ¼" mounting end. National Hardware code stock number N232-892 (UPC 038613228917), ¼" by 4" or exact equivalent shall be used. [see separate sheet "J-Bolt specifications" for more information]
- iii. Mounting hook(s) must be attached to the Testing Wall by the Event Supervisor with the "opening" up and installed to allow 2.5 cm +/- 0.1 cm clearance between the wall and the closest edge of the hook. The hook(s) must be secured in place with a hex nut and flat washer on the front side and a wing nut and flat washer on the back side of the Testing Wall. **[Figure A]** Division C must have one hook, horizontally aligned, and centered between the sides of the Testing Wall 5.0 cm below its top. Division B must have three hooks horizontally aligned and centered 5.0 cm below the top of the Testing Wall. The middle hole must be centered between the sides of the Testing Wall, with the other holes centered 10.0 cm on each side of the middle hole. **[Figure B]** The Event Supervisor must insure that the hook(s) remain securely in position during the competition. The centerlines of the holes must be visible on the face of the Testing Wall.

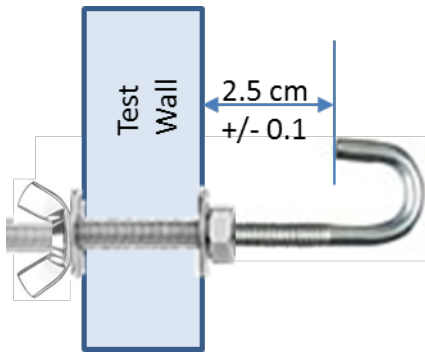


Figure A - mounting of J-Bolt to test wall with hex nuts and washers on each side to hold firmly in place.



Figure B – Three hooks installed in wall for Division B. Only the center hook is installed for Division C.